

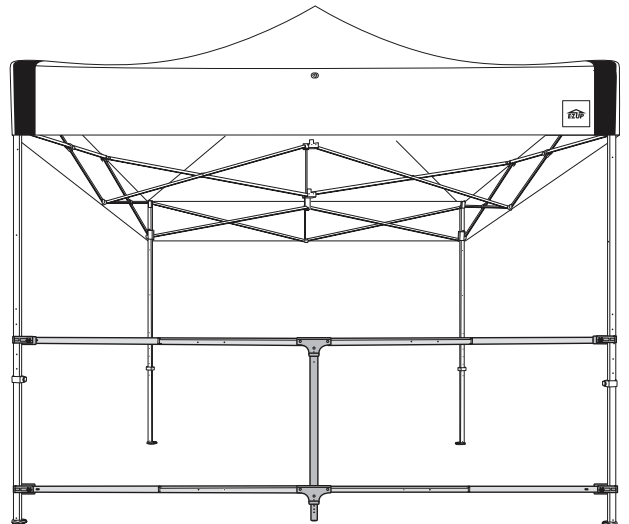


E-Z EVENT SYSTEM™ STABILIZER WALL SYSTEM

INSTRUCTION SHEET

10ft Includes: (1) Center "T", (4) Adjustable Rails,
(1) Foot-Flat Surface, (1) Foot-Uneven Surface, (2) E-Z Brackets

20ft Includes: (2) Center "T", (8) Adjustable Rails, (2) Foot-Flat Surface,
(2) Foot-Uneven Surface, (4) E-Z Brackets, (2) 180 Degree E-Z Brackets



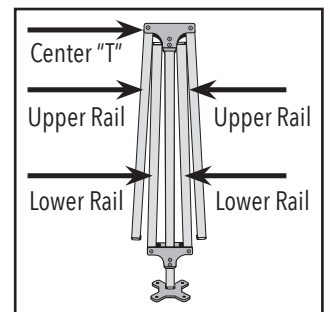
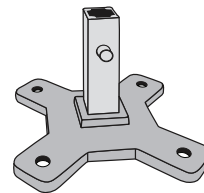
SET UP

- 1**
- Install the center support foot onto the stabilizer wall system.
(Note there are two options depending on surface area)
 - Unfold lower center support rails.

Foot Option 1:
Uneven Surface

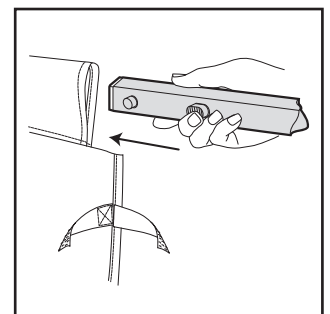


Foot Option 2:
Even Surface

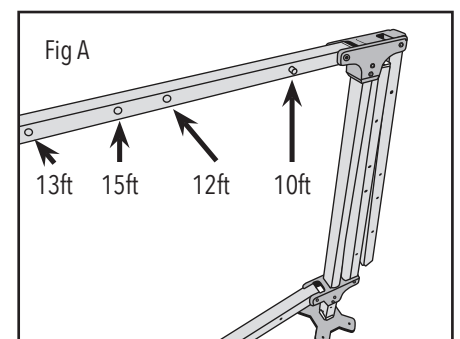
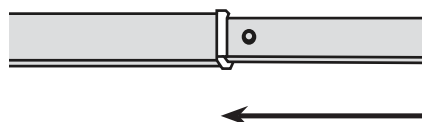


2 FOR DOUBLE-SIDED BANNERS, SKIP TO STEP 3 TO CONTINUE ASSEMBLY

- At the center opening of the single-sided banner, slide the adjustable rail through the top fabric sleeve and insert it into the upper rail until the snap button engages.
- Slide the cover to center "T". Repeat for other side.

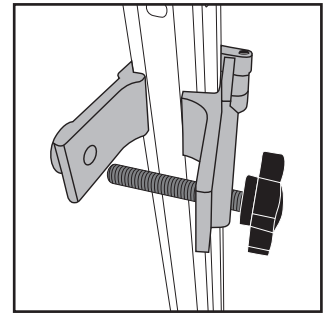


- 3**
- Slide adjustable rail into center support rail until the snap engages in the hole for the correct size canopy (Fig A).
 - Repeat for all four rails.

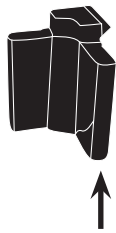


4

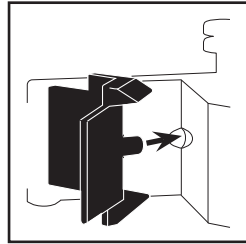
- Wrap the bracket onto the leg.
- Insert the screw through the bracket and the rail, tighten until snug.
- Repeat for four brackets.
- A thick insert is needed for the lower canopy leg (below the toggle).
 - Upper Leg: No insert needed for square 1-1/4" legs: Eclipse™
 - Lower Leg: A thick insert is needed, push the center plug into the bracket hole.
 - Upper Leg: No insert needed for octagon 1.95" legs: Endeavor™
 - Lower Leg: An insert is needed. Install so that hinge aligns with bracket hinge.



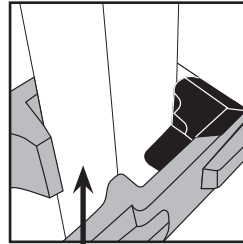
Thin Insert



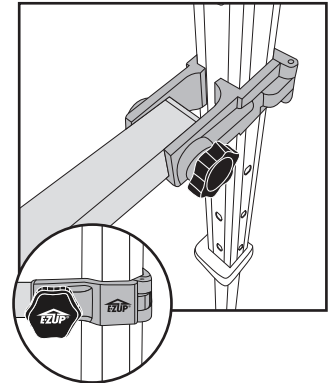
Thick Insert



Center Plug



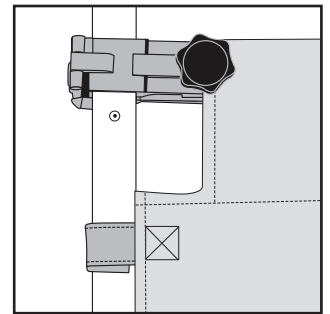
Wrong Insert (Bracket Can't Close)



5

INSTALLING DOUBLE SIDED BANNER

- Drape the double sided banner over the upper rail.
- For single sided or double sided banners, wrap the hook and loop straps around the shelter legs and rails



6

- If two stabilizing walls are being stacked to make a full wall, pop the plastic cap out of the center "T".
- The upper wall center "T" leg is inserted into the center "T" cavity (where the cap was removed).
- Repeat assembly steps 3 and 4 to complete upper wall installation.

