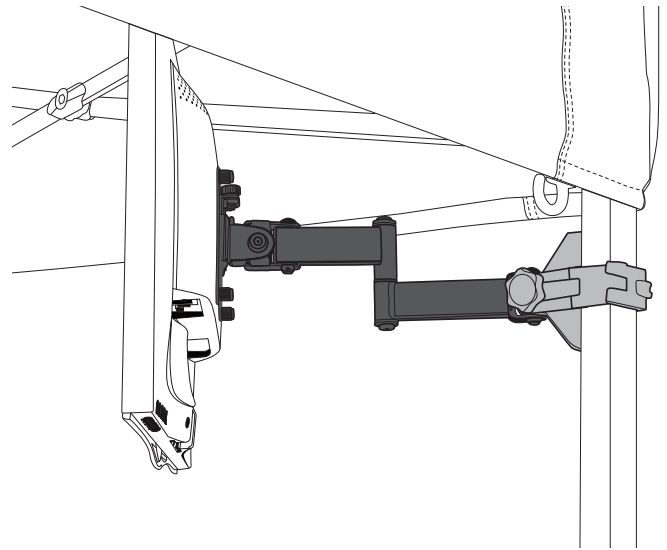




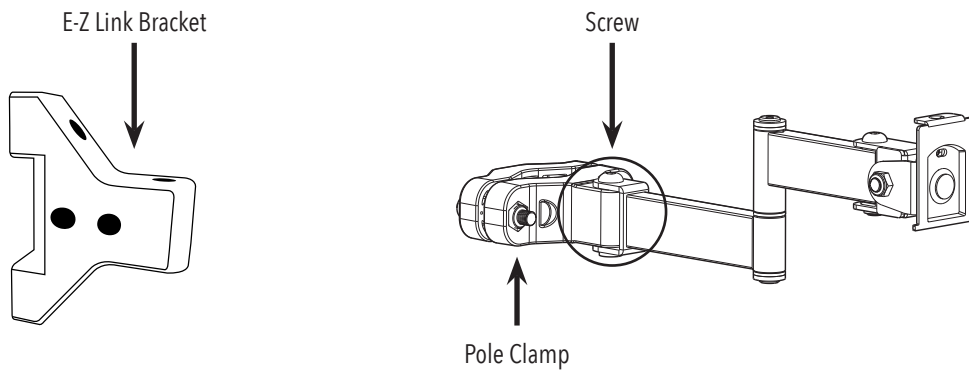
# E-Z EVENT SYSTEM™ TV/MONITOR MOUNT

## INSTRUCTION SHEET

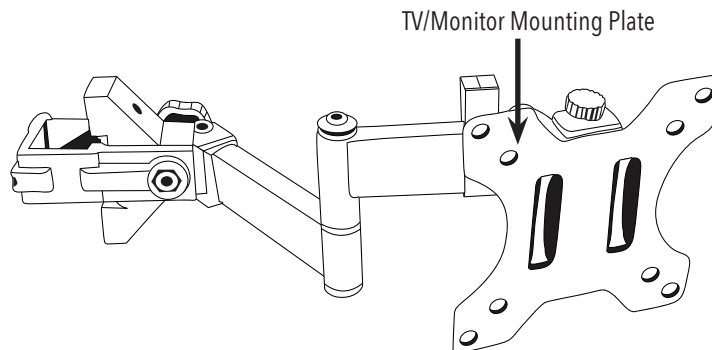


### SET UP

- 1
  - Replace pole clamp with E-Z Link bracket.
  - Remove screw with 5mm Allen wrench to take off pole clamp.
  - Install E-Z Link bracket with screw, tighten with 5mm Allen wrench until tight.

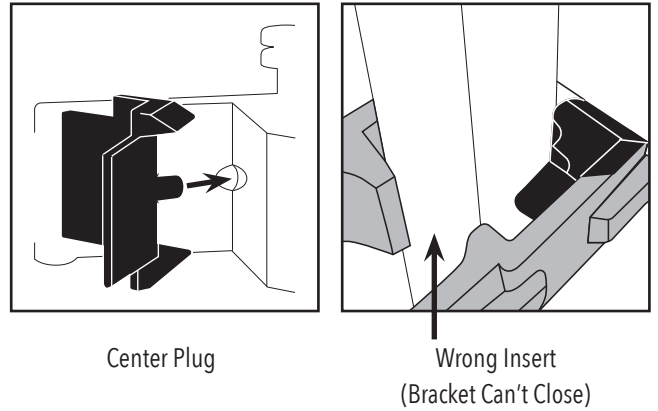
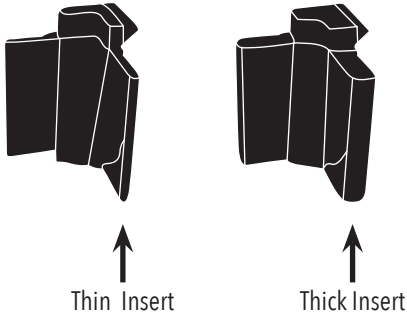


- 2
  - Connect the mounting plate to the TV/Monitor as directed in the Swivel Arm Mount Manual.



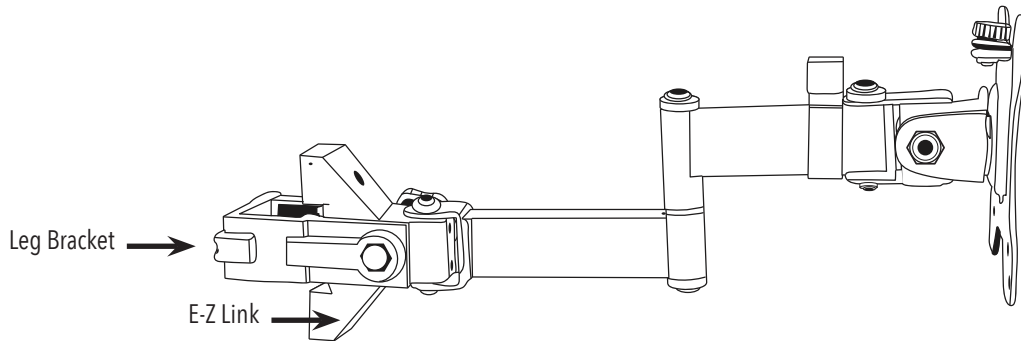
# 3

- If an insert is needed for the bracket to fit snug on the leg, push the center plug into the bracket hole.
  - Thick insert = square 1" legs (Dome®, Sprint®, Vista™, Vue™)
  - Thin insert = square 1-1/8" legs (Patriot™, Pyramid™, Spectator™, Vantage™)
  - No insert needed for square 1-1/4" legs (Eclipse™)
  - No insert needed for octagon 2" legs (Endeavor™)



# 4

- With two persons, one lifts the TV/Monitor and swing arm w/ link to the desired mounting position on a canopy leg. The second person will wrap the bracket around the leg and insert the thumb screw through the bracket and link, then tighten until snug.



# 5

- Continue with TV/Monitor set up as directed in the manual for the TV/Monitor.

