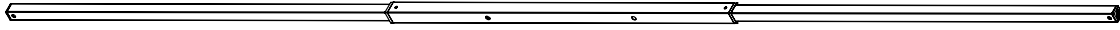




E-Z EVENT SYSTEM CROSSBAR INSTRUCTION SHEET

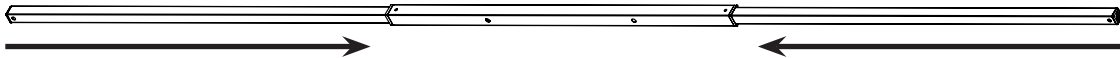


Includes: (1) Crossbar, (2) E-Z Brackets

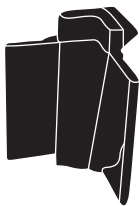


SET UP

- 1** Assemble the crossbar by inserting the two end bars into the center bar, pushing until the snap buttons engage.
Note: Crossbar fits only on 10' sides of canopies.



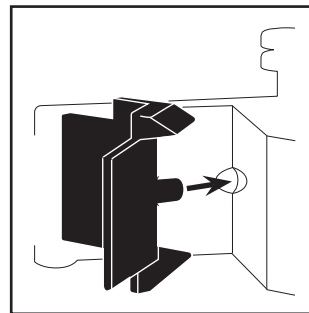
- 2**
- If an insert is needed for the bracket to fit snug on the leg, push the center plug into the bracket hole.
 - Thin insert = square 1-1/8" legs (ES100S™, Hi-Viz®, Pyramid™, Vantage™)
 - No insert needed for square 1-1/4" legs (Eclipse™, Eclipse™ HUT, Eclipse™ MAX, Speed Shelter®)
 - No insert needed for octagon 2" legs (Endeavor™, Endeavor™ MAX, Endeavor™ USA)
 - No insert needed for hexagon 40mm legs (Express™)



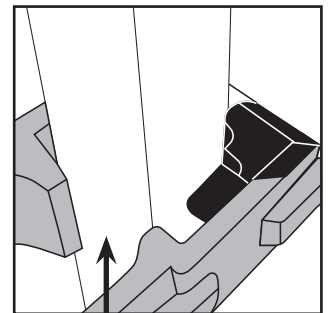
Thin Insert



Thick Insert

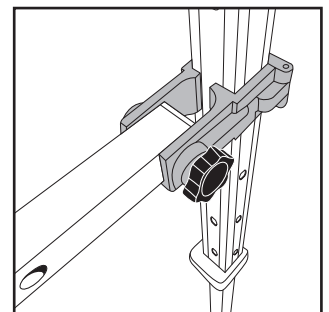
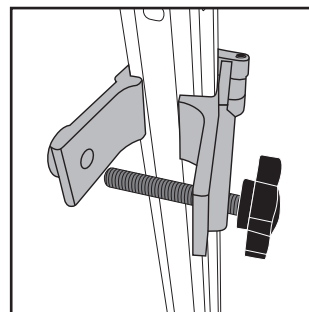


Center Plug



Wrong Insert
(Bracket Can't Close)

- Wrap the bracket around the leg.
- Insert the screw through the bracket and the crossbar, tighten until snug.
- Repeat the process on the opposite side.

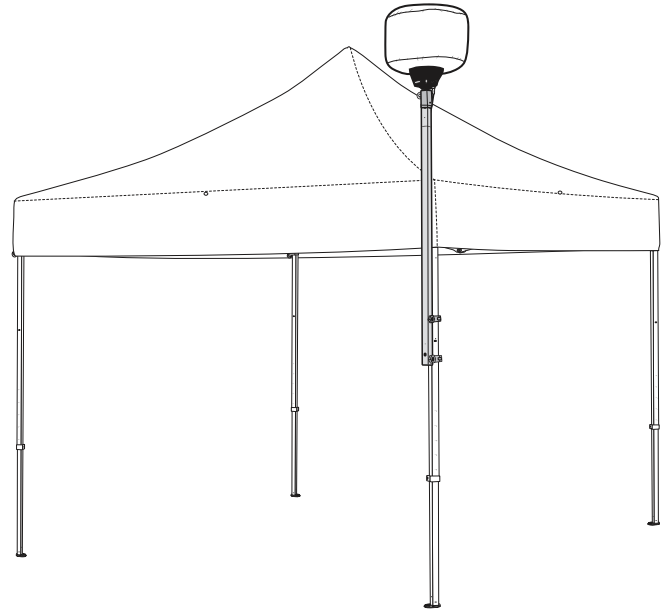




E-Z EVENT SYSTEM™ ACCESSORY SKY MOUNT

INSTRUCTION SHEET

Includes: (1) Accessory Sky Mount, (2) E-Z Brackets



SET UP

1 INSTALLING THE ACCESSORY SKY MOUNT ON THE CANOPY FRAME

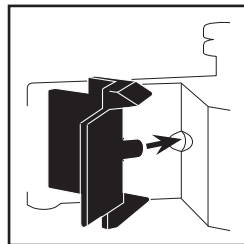
- It is helpful to have the canopy in the fully lowered height.
- With two people, wrap the bracket around the leg, insert the thumb screw through the upper hole in the accessory sky mount, push the bracket up until it's just below the valance, tighten thumb screw until snug. Install second bracket.
- Raise the canopy to the desired height.
- If an insert is needed for the bracket to fit snug on the leg, push the center plug into the bracket hole.
 - Thick insert = square 1" legs (VUE™)
 - Thin insert = square 1-1/8" legs (ES100S™, Hi-Viz®, Patriot™, Pyramid™, Vantage™)
 - No insert needed for square 1-1/4" legs (Eclipse™, Eclipse™ HUT, Eclipse™ MAX, Speed Shelter®)
 - No insert needed for octagon 2" legs (Endeavor™, Endeavor™ HUB, Endeavor™ MAX, Endeavor™ USA)
 - No insert needed for hexagon 40mm legs (Express™)



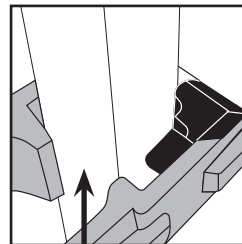
Thin Insert



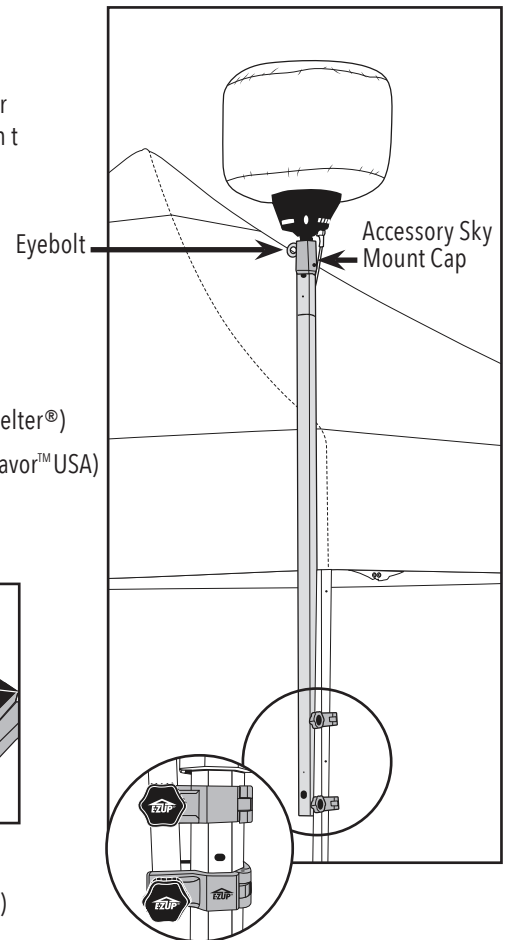
Thick Insert



Center Plug



Wrong Insert
(Bracket Can't Close)

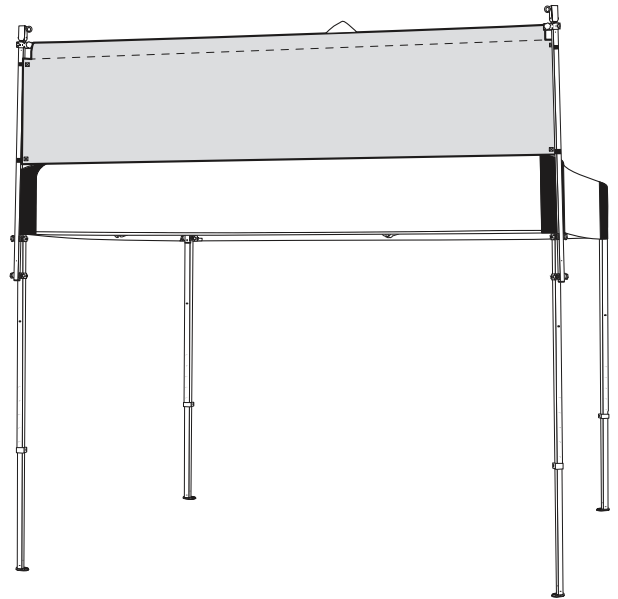




E-Z EVENT SYSTEM™ MARQUEE BANNER KIT

INSTRUCTION SHEET

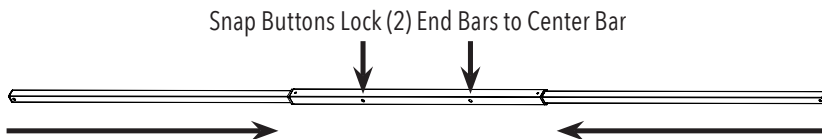
Includes: (2) Accessory Sky Mounts, (1) Crossbar,
(2) Square Crossbar Brackets, (4) E-Z Brackets



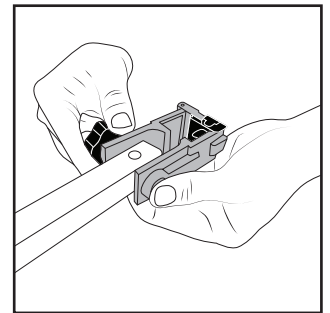
SET UP

- 1
 - Assemble the crossbar by inserting the two end bars into the center bar, pushing until the snap buttons engage.
 - Slide the crossbar through the fabric sleeve so the banner is centered on the crossbar.
 - Install the thick insert into the square bracket, repeat for two brackets.
 - Attach the bracket with the thick insert to the crossbar, but only tighten slightly. Repeat at both ends.

Note: Marquee Banner fits only on 10' sides of canopies.

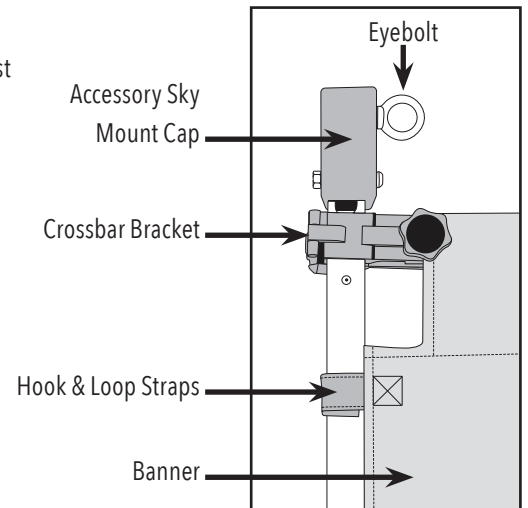


Thick Insert



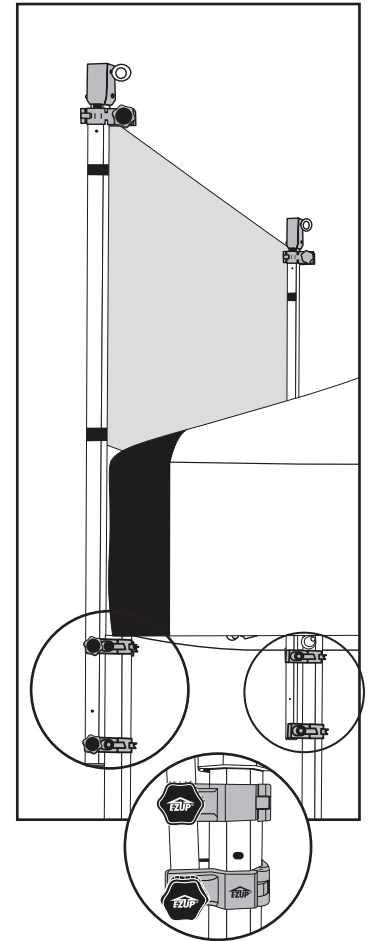
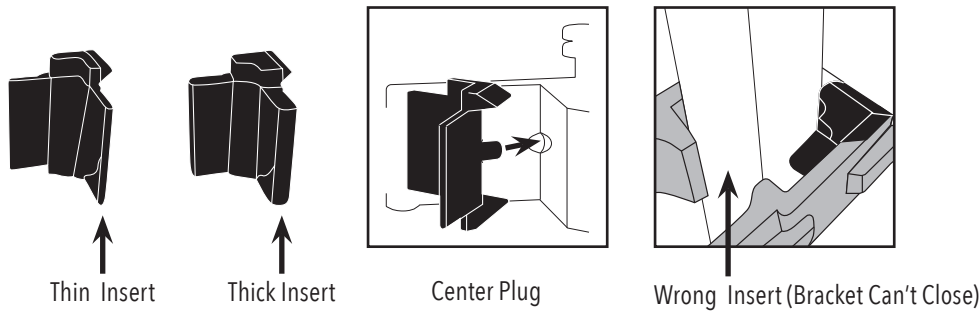
2 ATTACHING THE CROSSBAR TO THE ACCESSORY SKY MOUNTS

- With two people position one crossbar bracket near the top of one accessory sky mount just below the gray cap, fully loosen the thumb screw and attach a bracket to the accessory sky mount with the eyebolt facing towards the banner. Tighten thumb screw until snug.
- Repeat the above step to attach the crossbar to the second accessory sky mount.
- Attach the hook and loop straps on the banner to the accessory sky mounts.



3 INSTALLING THE MARQUEE BANNER ON THE CANOPY FRAME

- It is helpful to have the canopy in the fully lowered height.
- With two people, wrap the bracket around the leg, insert the thumb screw through the upper hole in the accessory sky mount, push the bracket up until it's just below the valance, tighten thumb screw until snug. Install second bracket.
- Repeat on the other side of the marquee banner.
- Raise the canopy to the desired height.
- If an insert is needed for the bracket to fit snug on the leg, push the center plug into the bracket hole.
 - Thin insert = square 1-1/8" legs (ES100S™, Hi-Viz®, Pyramid™, Vantage™)
 - No insert needed for square 1-1/4" legs (Eclipse™, Eclipse™ HUT, Eclipse™ MAX, Speed Shelter®)
 - No insert needed for octagon 2" legs (Endeavor™, Endeavor™ MAX, Endeavor™ USA)
 - No insert needed for hexagon 40mm legs (Express™)



© Copyright 2025 International E-Z UP, Inc. USA. All rights reserved.