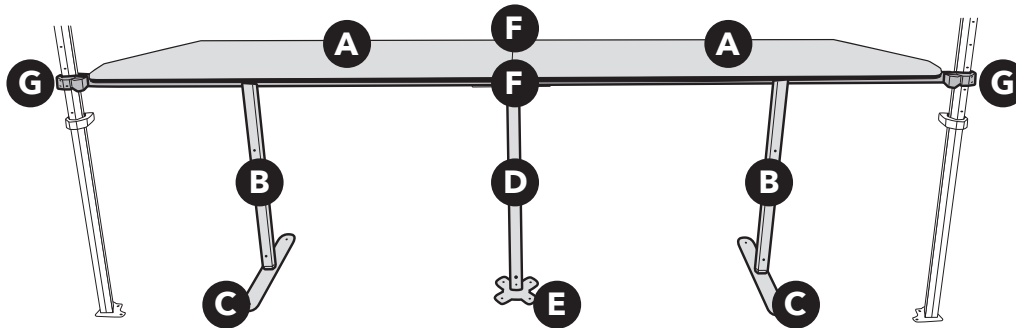




E-Z EVENT SYSTEM™ CANOPY COUNTER / BAR TOP INSTRUCTION SHEET



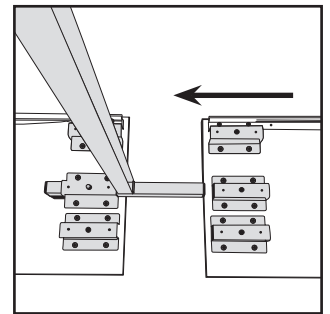
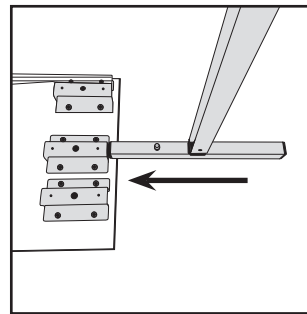
INCLUDES:

- A. (2) Countertop Sections
- B. (2) Outer "L" Legs
- C. (2) Base Plates
- D. (1) Center "T" Leg
- E. (1) Center Foot
- F. (2) Section Connectors
- G. (2) E-Z Brackets (Ships Separately)
- H. (1) Banner (Not Shown, Ships Separately)
- I. (1) Roller Bag (Not Shown)

SET UP

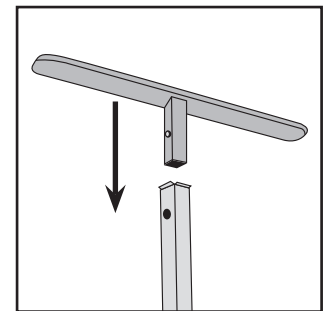
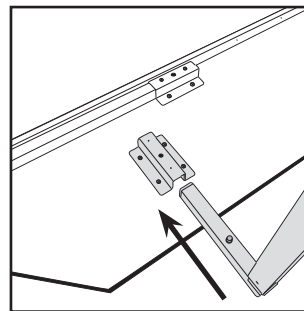
1 CENTER "T" LEG INSTALLATION

- Attach the Center "T" Leg by pressing down on the snap button and inserting into the center bracket until the snap button clicks in place.
- Slide the two top sections together so the Center Leg is in the center bracket on the other section.
 - Note: There isn't a second snap button to engage.



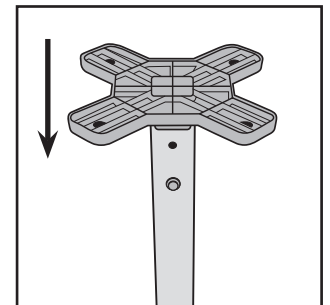
2 OUTER "L" LEG INSTALLATION

- Attach an Outer "L" Leg by pressing down on the snap button and inserting into the bracket until the snap button clicks in place.
- Position the snap button on the Base Plate so that it lines up with the hole in the leg. Press down on the snap button and insert it into the hole in the leg until it clicks into place.
- Repeat for other side.
- **CAUTION:** Do not lift or push the countertop by the legs or damage may occur.



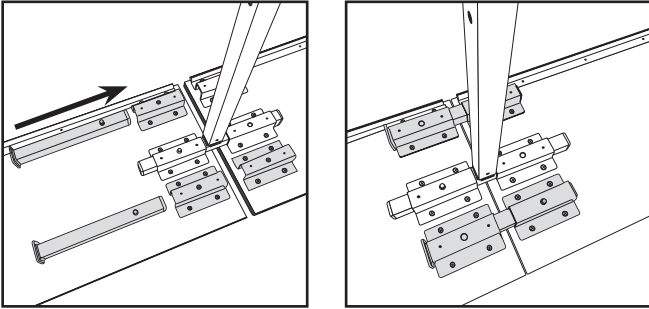
3 CENTER FOOT INSTALLATION

- On the Center Foot, position the snap button so it aligns with the hole in the leg.
- Press down on the snap button and insert it into the hole until it clicks into place.



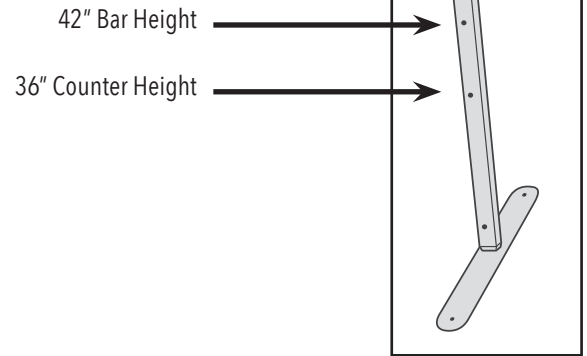
4 JOIN TOP SECTIONS

- Attach a Section Connector by pressing down on the snap button and inserting into the bracket until the snap button clicks in place in the bracket on the other top section.
 - Note: The snap button will click into place in the first bracket and between brackets. Press down on the snap button twice to release it. This will allow the Section Connector to fully connect to the bracket on the other top section.
- Repeat for the other Section Connector.



5 COUNTER HEIGHT ADJUSTMENT

Set the Countertop height to 36" or 42" by pressing down on the snap button and sliding the leg until the snap button clicks in place at the desired height setting. Ensure all three legs are set to the same height by repeating this process for the remaining legs.



6 COUNTER ATTACHMENT

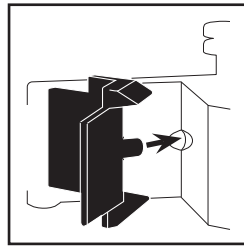
- With two people, turn the fully assembled counter upright and position it between the canopy legs.
- If an insert is needed for the bracket to fit snug on the leg, push the center plug into the bracket hole.
 - Thin insert = square 1-1/8" legs (Patriot™, Pyramid™, Spectator™, Vantage™)
 - No insert needed for square 1-1/4" legs (Eclipse™)
 - No insert needed for octagon 2" legs (Endeavor™)



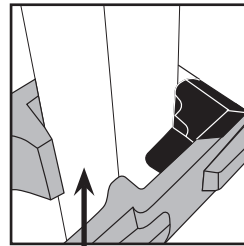
Thin Insert



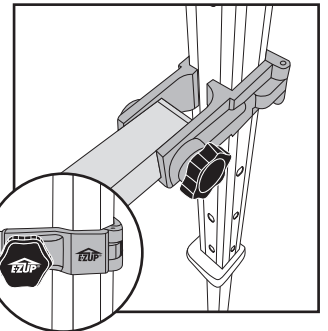
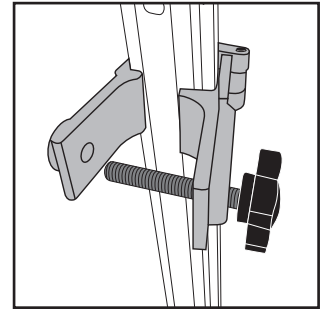
Thick Insert



Center Plug



Wrong Insert (Bracket Can't Close)



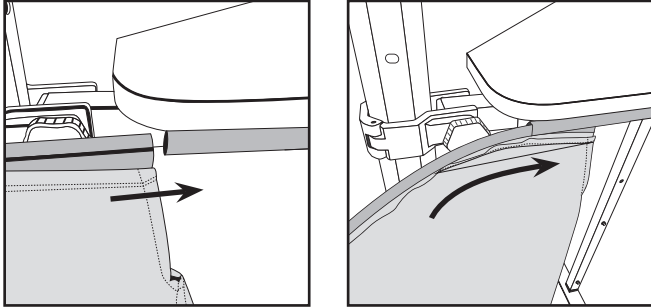
- Wrap the bracket around the leg.
- Insert the screw through the bracket and the mounting bar, press the Countertop down gently so the outer leg is firmly on the ground then tighten the screw until snug.
- Repeat for other side.

CAUTION: This countertop must be used with E-Z UP canopies and must be attached to legs, it is NOT a freestanding counter.

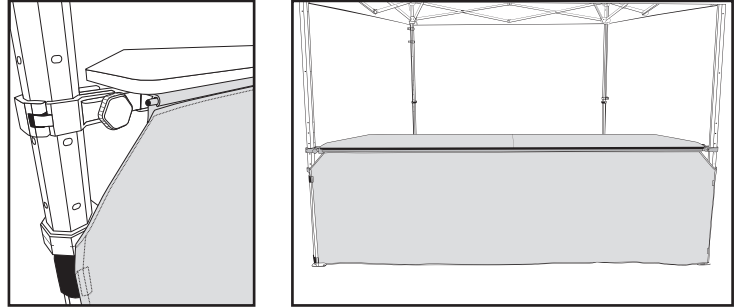


BANNER INSTALLATION

- Feed the flexible rod at the top of the Banner into the white rail located underneath the Countertop.
 - Restart the feed at the Counter midpoint at the section break.
 - Continue to feed the Banner across the Countertop. Ensure the Banner is fully extended and centered.

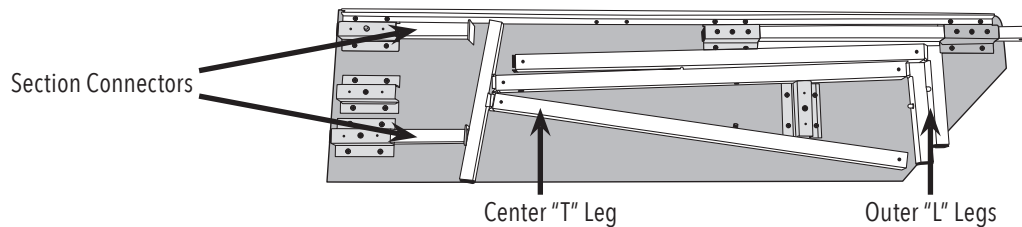


- Secure the banner to the leg using the hook and loop straps.
 - Repeat for other side.



ROLLER BAG STORAGE

- Insert two Section Connectors under the Countertop. Ensure the snap buttons engage to secure the connectors in place.
 - Position the Center "T" Leg and the Outer "L" Legs under Countertop as shown.



- With Roller Bag pocket facing up, slide one Counter section into the bag with the hardware pointing downward.
 - Note: Tilt the bag as needed to allow the counter section to slip to the bottom.
 - Place the second Counter section (placed as shown below) face-to-face, slide into the bag.
 - Place the Base Plates, the Center Foot, and the E-Z brackets into the outside pocket.
 - Note: There is a divider flap inside the pocket. Ensure the parts go underneath this divider.
 - Roll the Banner up. With the flex rod at the top, fold the bottom of the banner up to the top. Slide Banner into the outside pocket above the divider flap.

